

See TA400018 Sht 2

LEGEND

OWNERSHIPS		LEVEL CROSSING		ROUTE DISTANCE	
	ARTC		SINGLE CULVERT		Standard Gauge
	OTHER		MULTIPLE CULVERTS		Broad Gauge
	ARTC/ LICENCE		BRIDGE		Mixed Gauge
	PACIFIC NATIONAL		LEVEL CROSSING		
	PRIVATE SIDING				

Once Printed this is no longer a controlled Document

NOTE:  
1/ ALL PROPERTY BOUNDARY DIMENSIONS REQUIRE CONFIRMATION



6	Apr 13	Corrections to align with asset maintenance register	JS		
5	Oct-11	Missing Link project further update	JS	Scale	NTS
4	Aug-11	Property lease information removed & gauge correction near steel terminal	JS	Drawn	ZB
3	Feb-10	Missing Link upgrade	JS	Checked	CAS
2	Feb-09	Tottenham-Dynon upgrade & minor corrections	JS		
Rev:	Date:	Revision:	Int:	App:	Date FEB2001

Corporate Property Manager  
Gen. Man /Corridor

Infrastructure Management System  
AUSTRALIAN RAIL TRACK CORP. LTD  
VICTORIA WESTERN LINE  
System Map

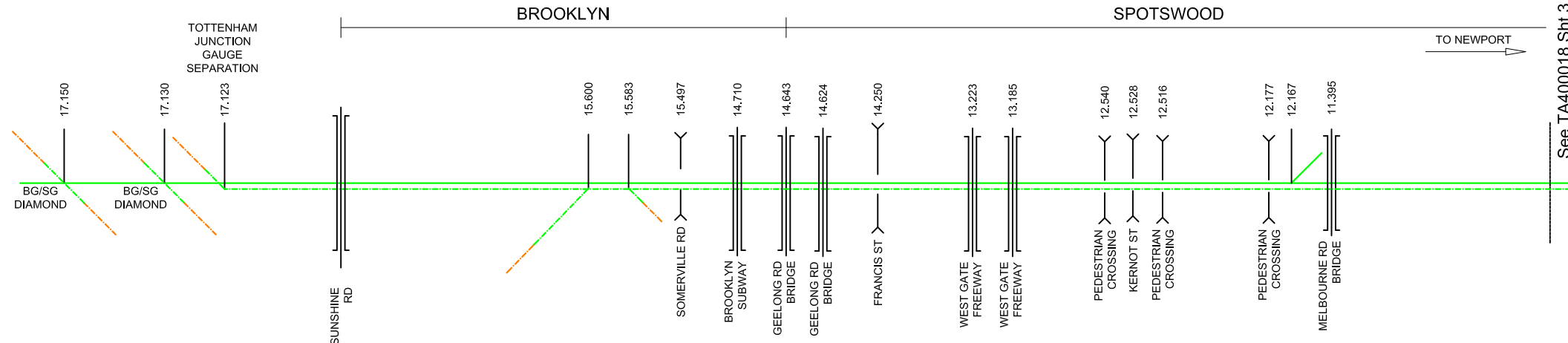
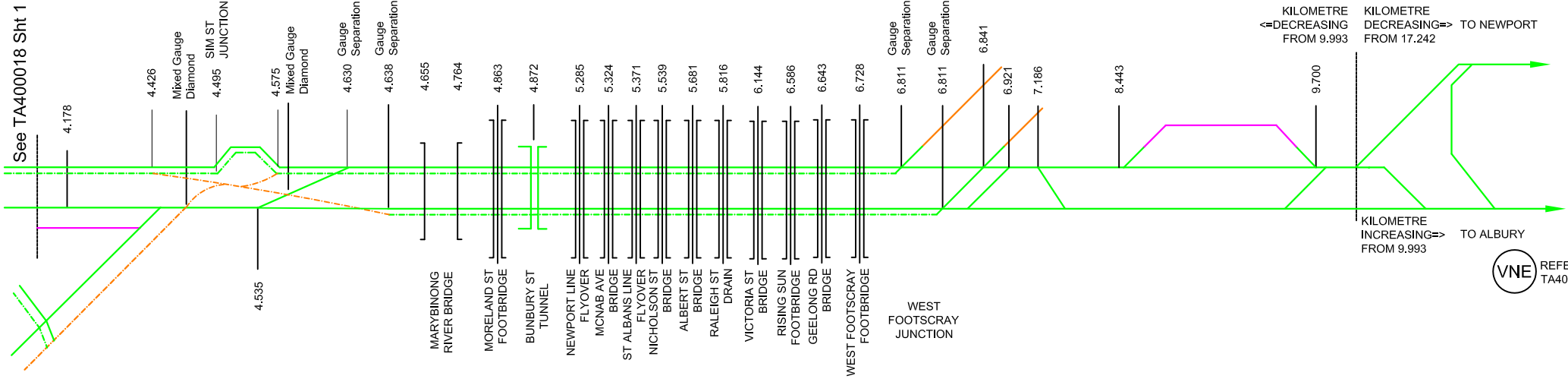
TA400018  
Sheet No.  
1 of 24

TOTTENHAM  
TOTTENHAM JUNCTION  
KILOMETRE CHANGE  
9.993km = 17.242km

KILOMETRE  
← DECREASING FROM 9.993  
KILOMETRE  
DECREASING ⇒ TO NEWPORT FROM 17.242

KILOMETRE  
INCREASING ⇒ TO ALBURY FROM 9.993

VNE REFER  
TA400017



LEGEND

OWNERSHIPS	
	ARTC
	OTHER
	ARTC/ LICENCE
	PACIFIC NATIONAL
	PRIVATE SIDING

	SINGLE CULVERT
	MULTIPLE CULVERTS
	BRIDGE
	LEVEL CROSSING
	ROUTE DISTANCE
	Standard Gauge
	Broad Gauge
	Mixed Gauge

Once Printed this is no longer a controlled Document

NOTE:  
1/ ALL PROPERTY BOUNDARY DIMENSIONS REQUIRE CONFIRMATION

VW

7	Nov-12	Correction of Tottenham Junction area	JS		
6	Oct-11	Correction of Sims Street Junction area	JS	Scale	NTS
5	Aug-11	Correction of Goninans siding at Spotswood	JS	Drawn	ZB
4	Aug-10	Addition of Brooklyn Sunshine triangle & other corrections	JS	Checked	CAS
3	Feb-10	Missing link upgrade	JS		
Rev:	Date:	Revision:	Int:	App:	Date FEB2001

Infrastructure Management System

AUSTRALIAN RAIL TRACK CORP. LTD

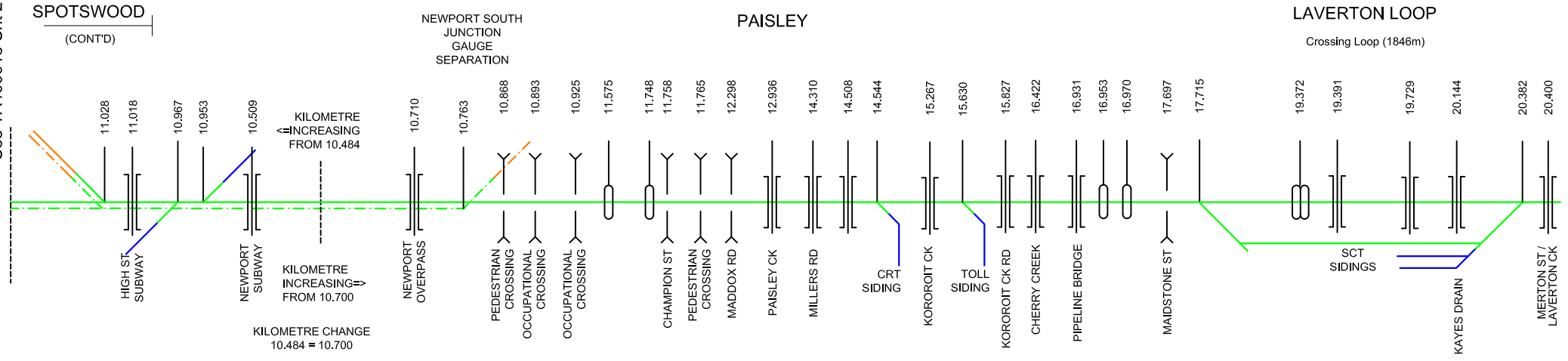
VICTORIA WESTERN LINE

System Map

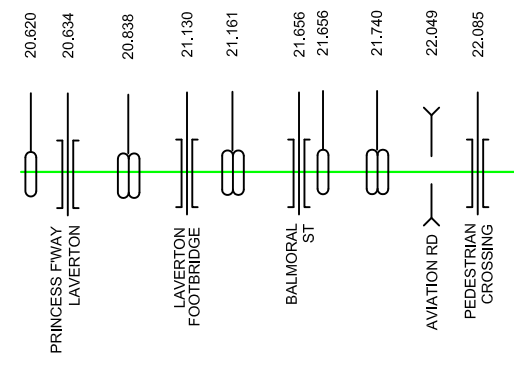
TA400018

Sheet No.  
2 of 24

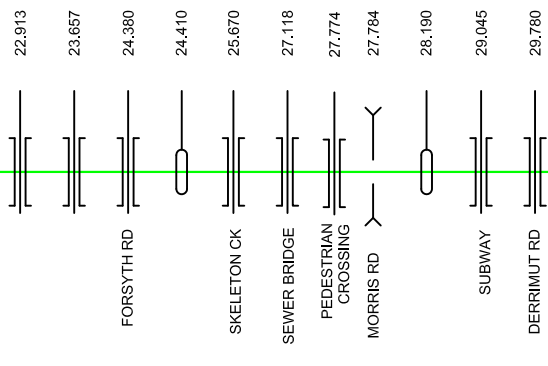
See TA400018 Sht 2



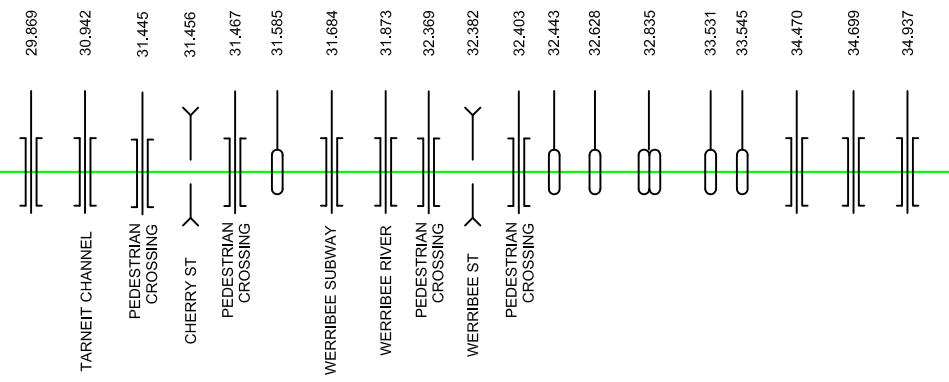
AIRCRAFT



HOPPERS CROSSING



WERRIBEE



**LEGEND**

OWNERSHIPS	
<span style="color: green;">—</span>	ARTC
<span style="color: orange;">—</span>	OTHER
<span style="color: green; border-bottom: 1px dashed green;">—</span>	ARTC / LICENCE
<span style="color: purple;">—</span>	PACIFIC NATIONAL
<span style="color: blue;">—</span>	PRIVATE SIDING

	SINGLE CULVERT
	MULTIPLE CULVERTS
	BRIDGE
	LEVEL CROSSING
	ROUTE DISTANCE

	Standard Gauge
	Broad Gauge
	Mixed Gauge

Once Printed this is no longer a controlled Document

**NOTE:**  
1/ ALL PROPERTY BOUNDARY DIMENSIONS REQUIRE CONFIRMATION



See TA400018 Sht 4

6	Oct 13	Kororoit Creek Road level crossing 15.827km replaced by bridge	JS		
5	Dec 12	Laverton loop extension & other corrections	JS	Scale	NTS
4	Aug 11	Galvin loop renamed to Laverton loop & other corrections	JS	Drawn	ZB
3	May-03	Addition of Toyota Siding and Eastern Lead to SCT Siding		Checked	CAS
2	Feb-03	Revised Operator Names in Legend			
Rev:	Date:	Revision:	Int:	App:	Date FEB2001

Corporate Property Manager  
Gen. Man. / Corridor



Infrastructure Management System  
AUSTRALIAN RAIL TRACK CORP. LTD

**VICTORIA WESTERN LINE**  
System Map

TA400018  
Sheet No.  
3 of 24

See TA400018 Sht 3

MANOR LOOP

Crossing Loop (1685m)

MANOR

LARA

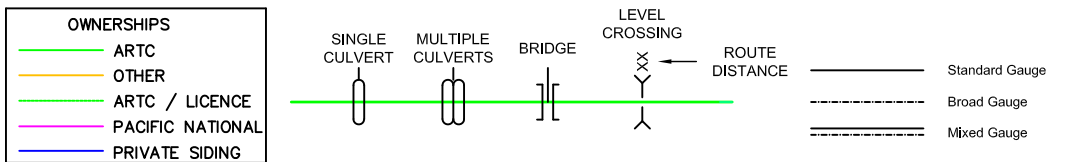
ELDERS LOOP

Crossing Loop (1850m)

CORIO (64)

See TA400018 Sht 5

LEGEND



Once Printed this is no longer a controlled Document

NOTE:  
1/ ALL PROPERTY BOUNDARY DIMENSIONS REQUIRE CONFIRMATION



4	Dec-12	Manor Loop length amended	JS	Scale	NTS
3	Aug-11	Elders siding removed and Elders loop added	JS	Drawn	ZB
2	Dec-10	Manor Loop length corrected and other corrections	JS	Checked	CAS
1	Feb-03	Revised Operator Names in Legend			
Rev:	Date:	Revision:	Int:	App:	Date

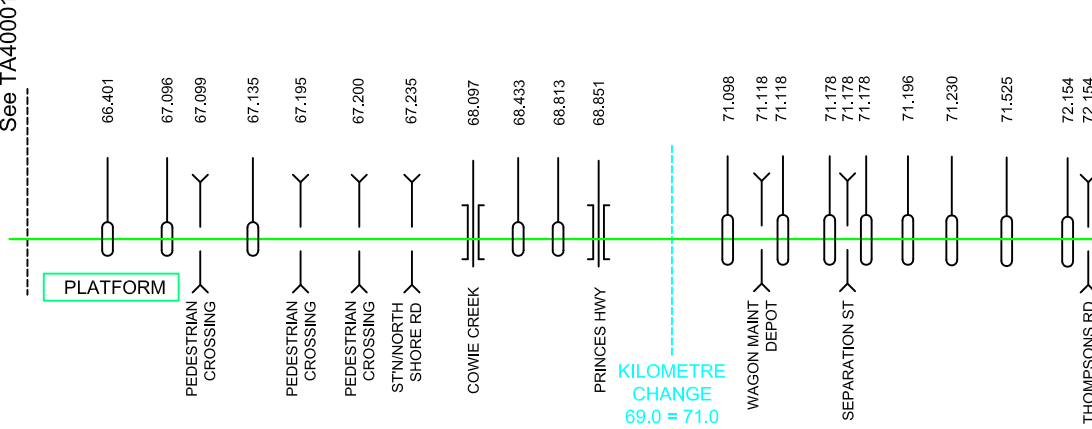
Corporate Property Manager  
Gen. Man./ Corridor

Infrastructure Management System  
AUSTRALIAN RAIL TRACK CORP. LTD

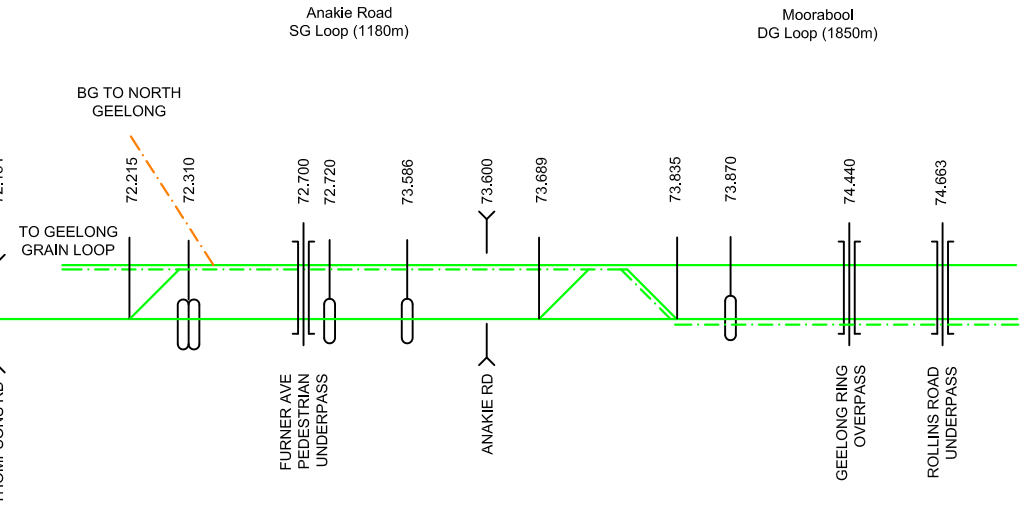
**VICTORIA WESTERN LINE**  
System Map

TA400018  
Sheet No.  
4 of 24

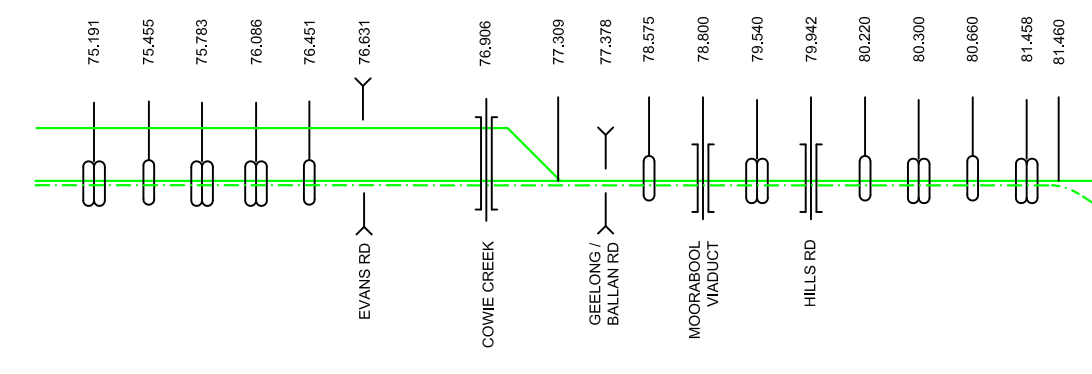
NORTH SHORE



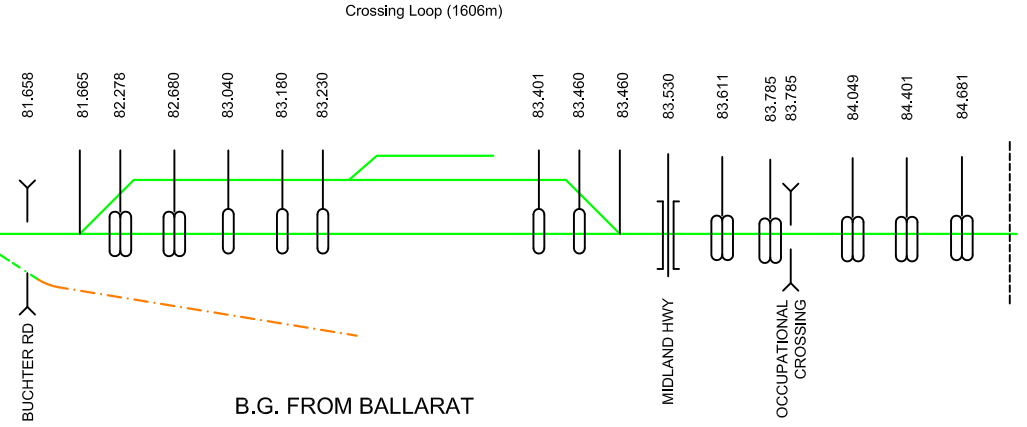
NORTH GEELONG



MOORABOOL



GHERINGHAP



LEGEND

**OWNERSHIPS**

- ARTC
- OTHER
- ARTC / LICENCE
- PACIFIC NATIONAL
- PRIVATE SIDING

**CROSSINGS**

- SINGLE CULVERT
- MULTIPLE CULVERTS
- BRIDGE
- LEVEL CROSSING

**GAUGES**

- Standard Gauge
- Broad Gauge
- Mixed Gauge

ROUTE DISTANCE

Once Printed this is no longer a controlled Document

NOTE:  
1/ ALL PROPERTY BOUNDARY DIMENSIONS REQUIRE CONFIRMATION



5	Dec 12	Gheringhap Loop length amended	JS	
4	Nov 12	Updated to incorporate sheet 6 changes	JS	Scale NTS
3	Jan 12	Geelong Gheringhap dual gauge changes & property lease details removed	JS	Drawn ZB Corporate Property Manager
2	Feb-03	Revised Operator Names in Legend		Checked CAS
1	Feb 02	2 new turnouts at North Geelong		
Rev:	Date:	Revision:	Int:	App: Date FEB2001 Gen. Man. / Corridor



Infrastructure Management System

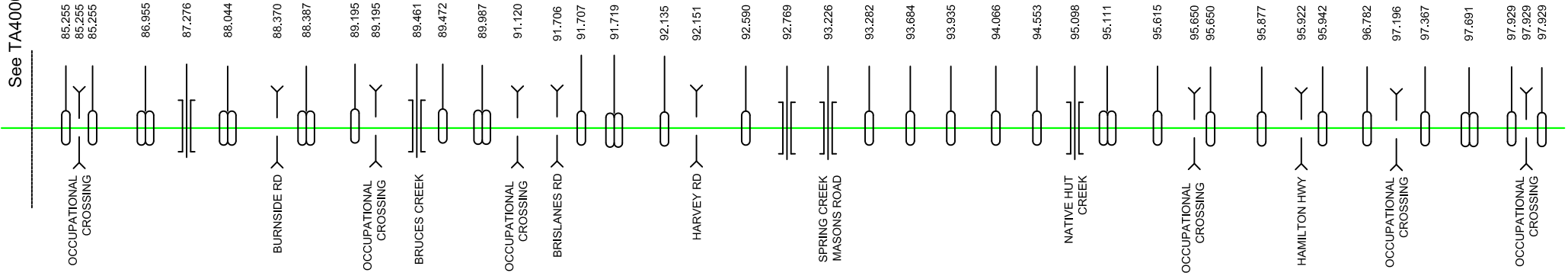
AUSTRALIAN RAIL TRACK CORP. LTD

VICTORIA WESTERN LINE  
System Map

TA400018

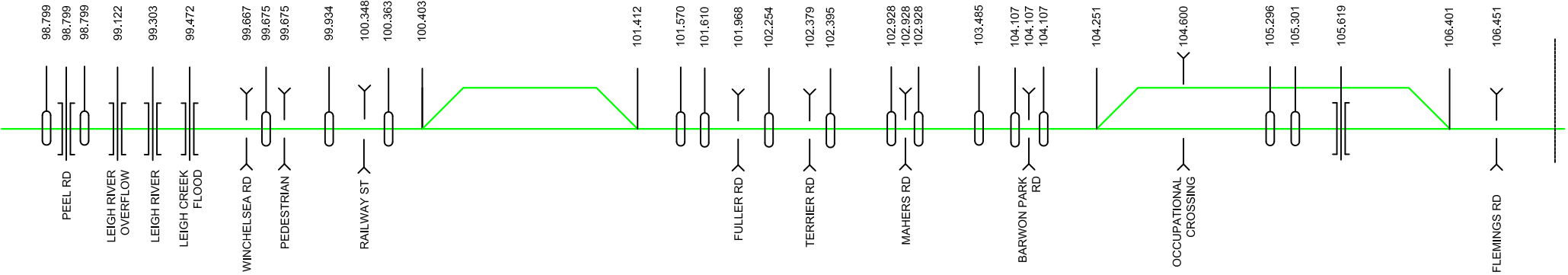
Sheet No.  
5 of 24

MURGHEBOLUC



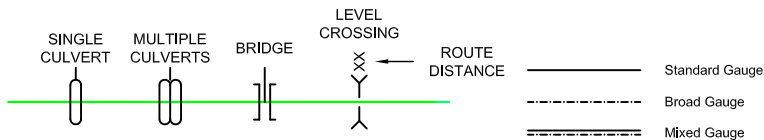
INVERLEIGH  
Siding (904m)

BARWON PARK  
Crossing Loop (1842m)



LEGEND

OWNERSHIPS	
	ARTC
	OTHER
	ARTC / LICENCE
	PACIFIC NATIONAL
	PRIVATE SIDING



Once Printed this is no longer a controlled Document

NOTE:  
1/ ALL PROPERTY BOUNDARY  
DIMENSIONS REQUIRE CONFIRMATION



Rev:	Date:	Revision:	Int:	App:	Date:	FEB2001	Gen. Man. / Corridor
4	Dec-12	Inverleigh Siding length added	JS		Scale	NTS	
3	Nov-12	Barwon Park loop added and Fuller Road crossing reinstated	JS		Drawn	ZB	Corporate Property Manager
2	Jul-10	Fuller Road crossing Inverleigh 101.968km removed and other corrections	JS		Checked	CAS	
1	Feb-03	Revised Operator Names in Legend					



Infrastructure Management System

AUSTRALIAN RAIL TRACK CORP. LTD

VICTORIA WESTERN LINE

System Map

TA400018

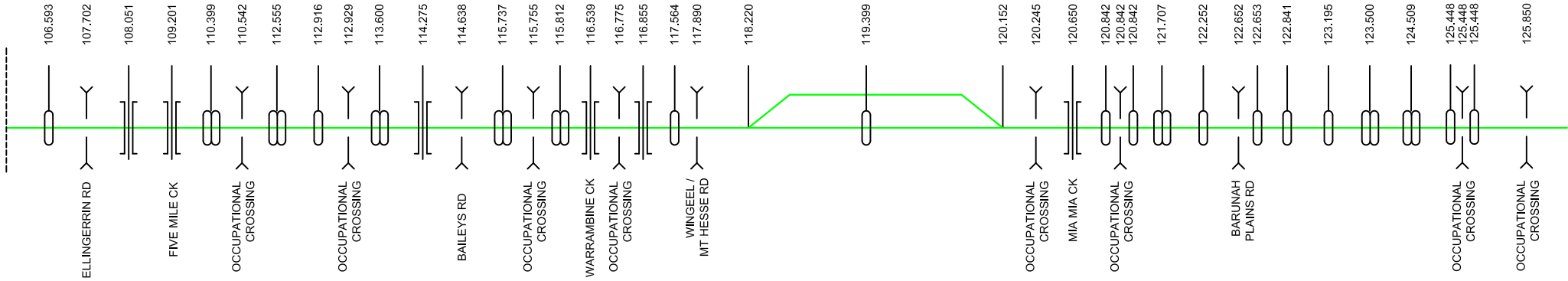
Sheet No.

6 of 24

See TA400018 Sht 6

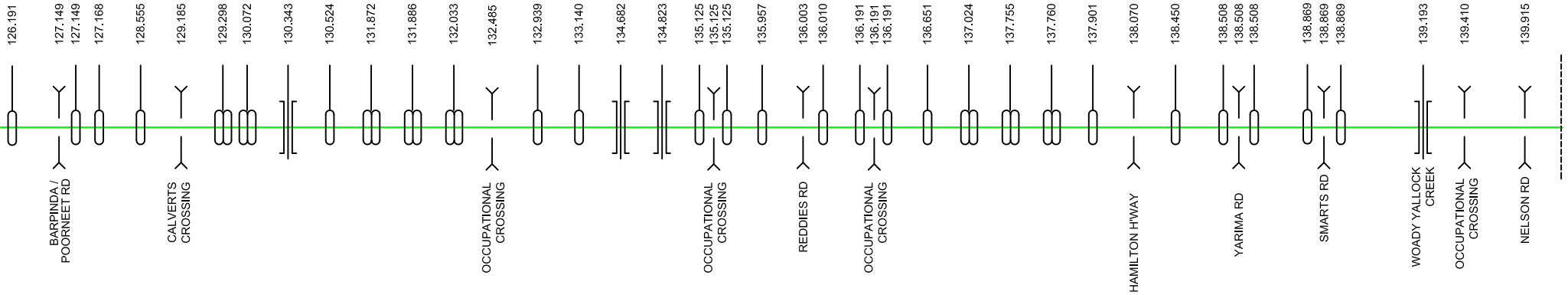
DOROQ

WINGEEL  
Crossing Loop (1651m)

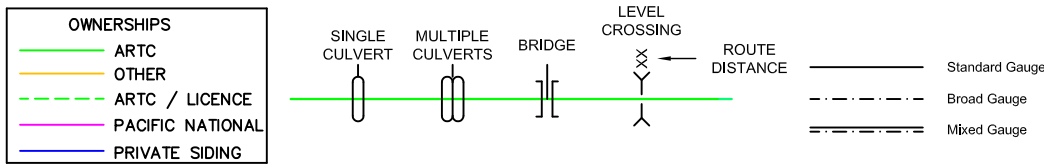


POORNEET

CRESSY



LEGEND



Once Printed this is no longer a controlled Document

NOTE:  
1/ ALL PROPERTY BOUNDARY DIMENSIONS REQUIRE CONFIRMATION



See TA400018 Sht 8

Rev:	Date:	Revision:	Int:	App:	Date
3	Nov 12	Updated to incorporate sheet 6 changes	JS		
2	Aug 11	Added previously missing crossings and corrected Wingeel loop length	JS		
1	Feb-03	Revised Operator Names in Legend			
					FEB2001

Scale	NTS
Drawn	ZB
Checked	CAS
Corporate Property Manager	
Gen. Man. / Corridor	

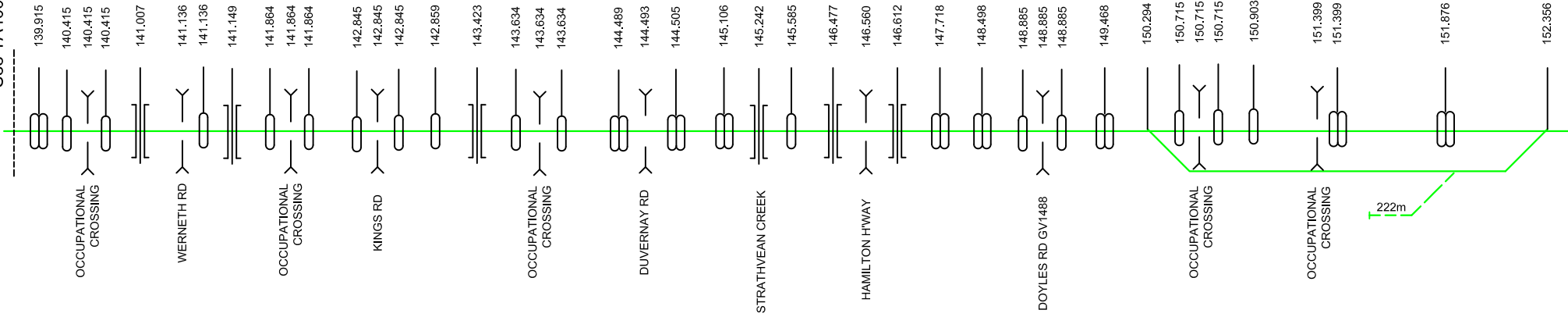
ARTC AUSTRALIAN RAIL TRACK CORP. LTD  
Infrastructure Management System  
VICTORIA WESTERN LINE  
System Map

TA400018
Sheet No.
7 of 24

See TA400018 Sht 7

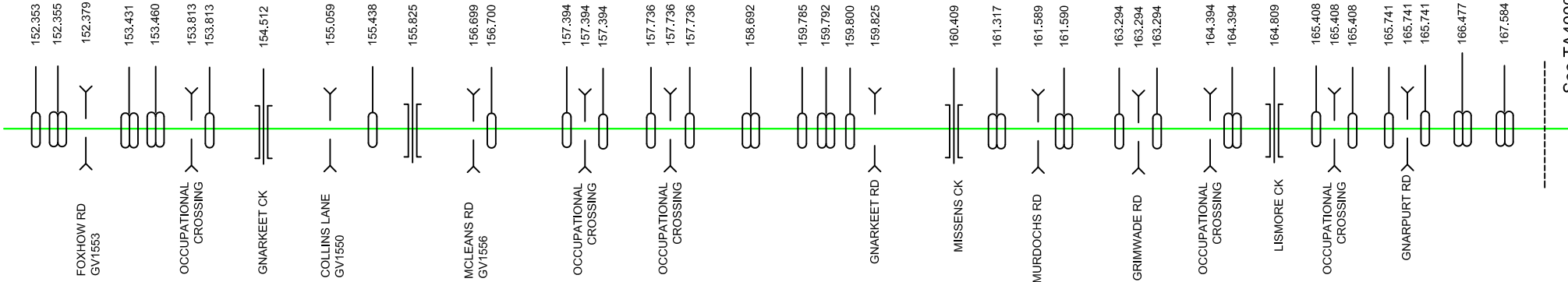
DUVERNAY

BERRYBANK  
Crossing Loop (1834m)



GNARKEET

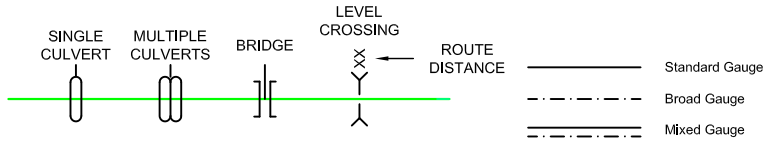
LISMORE



See TA400018 Sht 9

LEGEND

OWNERSHIPS	
	ARTC
	OTHER
	ARTC / LICENCE
	PACIFIC NATIONAL
	PRIVATE SIDING



Once Printed this is no longer a controlled Document

NOTE:  
1/ ALL PROPERTY BOUNDARY DIMENSIONS REQUIRE CONFIRMATION



5	Dec 12	Berrybank loop extended and other minor corrections	JS		
4	Jul 10	Update to ownerships Berrybank and other corrections	JS	Scale	NTS
3	Jul 09	Update to Berrybank crossing loop	JS	Drawn	ZB Corporate Property Manager
2	Dec-04	Removal of siding from Berrybank crossing loop		Checked	CAS
1	Feb-03	Revised Operator Names in Legend			
Rev:	Date:	Revision:	Int:	App:	Date FEB2001 Gen. Man. / Corridor



Infrastructure Management System

AUSTRALIAN RAIL TRACK CORP. LTD

VICTORIA WESTERN LINE

System Map

TA400018

Sheet No.

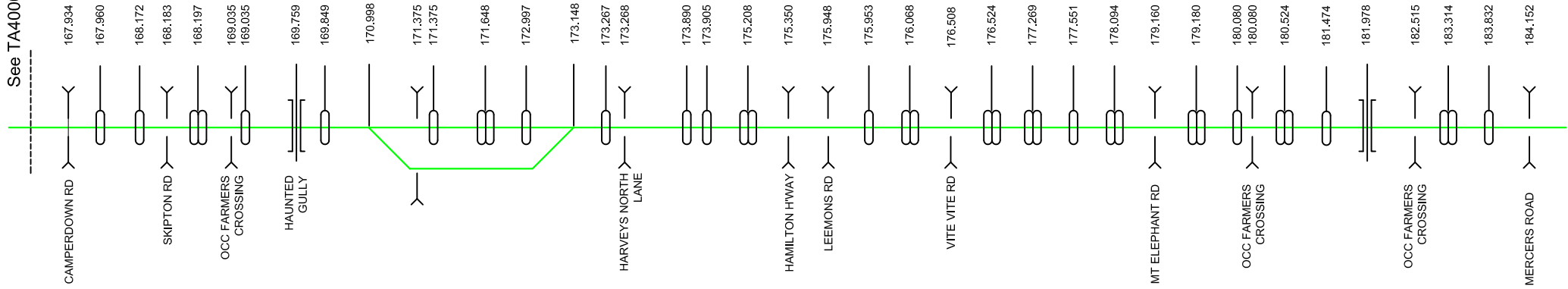
8 of 24



See TA400018 Sht 8

**TOOLI LOOP**  
(1842m)

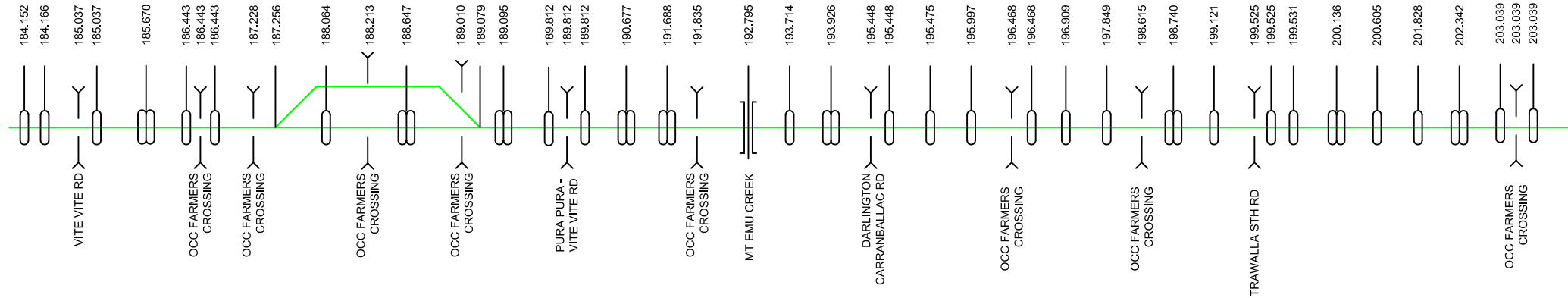
**DERRINALLUM**



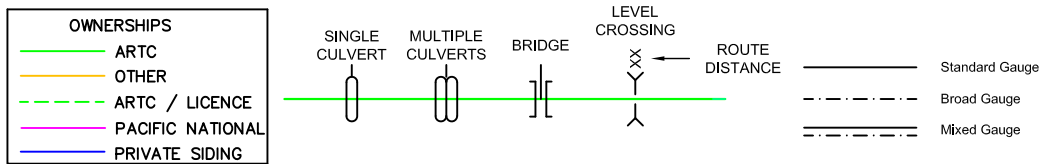
**VITE VITE**

**VITE VITE LOOP**  
(1642m)

**PURA PURA**



**LEGEND**



Once Printed this is no longer a controlled Document

**NOTE:**  
1/ ALL PROPERTY BOUNDARY DIMENSIONS REQUIRE CONFIRMATION



See TA400018 Sht 10

6	Apr 13	Corrections to align with asset maintenance register	JS		
5	Mar 13	Toolo Loop added and minor crossing corrections	JS	Scale	NTS
4	Dec 12	Vite Vite Loop length amended	JS	Drawn	ZB
3	Jul 09	Revised Ownerships Table in Legend	JS	Checked	CAS
2	Feb-03	Revised Operator Names in Legend			
Rev:	Date:	Revision:	Int:	App:	Date FEB2001

**ARTC** Infrastructure Management System  
 AUSTRALIAN RAIL TRACK CORP. LTD

**VICTORIA WESTERN LINE**  
 System Map

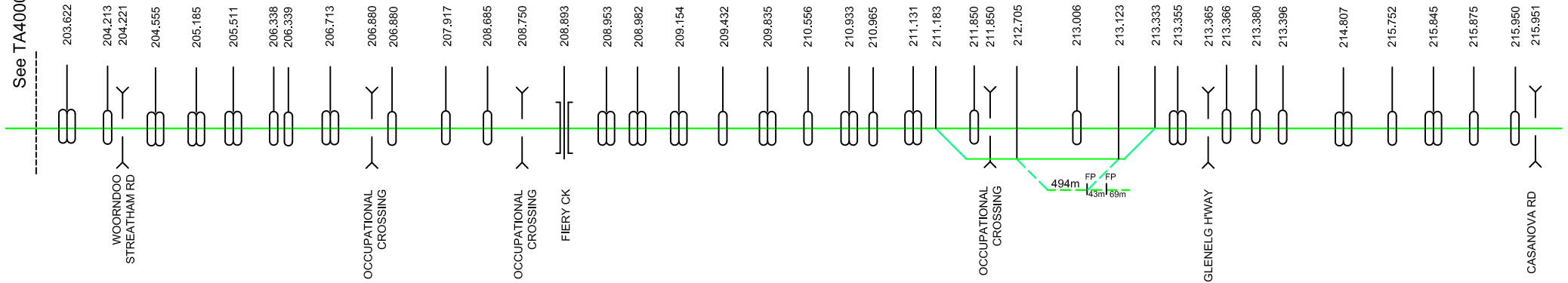
**TA400018**

Sheet No.  
**9 of 24**

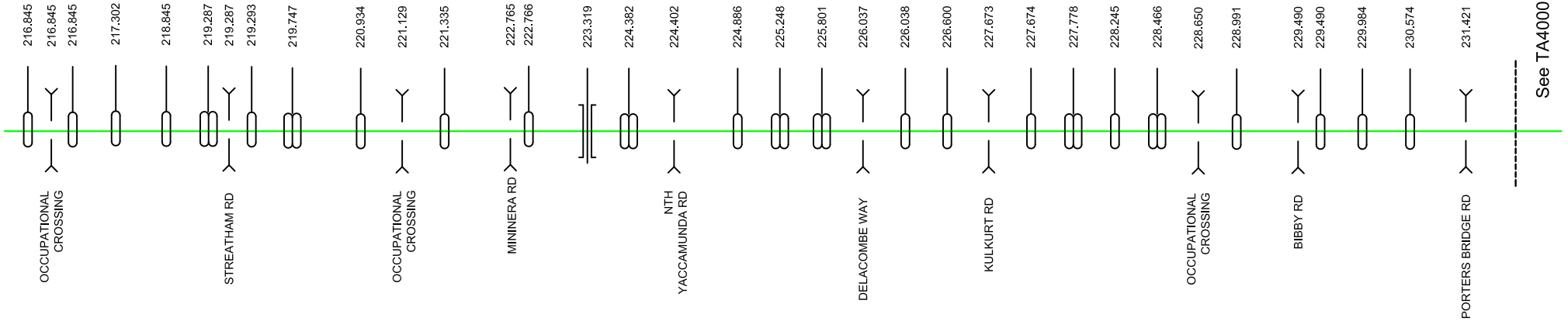
See TA400018 Sht 9

NERRIN NERRIN

WESTMERE  
(Crossing Loop 1842m)



MININERA



See TA400018 Sht 11

LEGEND

**OWNERSHIPS**

- ARTC (Green line)
- OTHER (Yellow line)
- ARTC / LICENCE (Dashed green line)
- PACIFIC NATIONAL (Pink line)
- PRIVATE SIDING (Blue line)

**CROSSINGS**

- SINGLE CULVERT (Single oval)
- MULTIPLE CULVERTS (Double oval)
- BRIDGE (Two vertical bars)
- LEVEL CROSSING (Y-shape with 'XX')

**ROUTE DISTANCE**

- Standard Gauge (Solid line)
- Broad Gauge (Dashed line)
- Mixed Gauge (Dash-dot line)

Once Printed this is no longer a controlled Document

NOTE:  
1/ ALL PROPERTY BOUNDARY DIMENSIONS REQUIRE CONFIRMATION



5	Jun13	Westmere loop updated	JS		
4	Jun12	Westmere loop booked out of service	JS	Scale	NTS
3	Jul 10	Update to ownerships Westmere and other corrections	JS	Drawn	ZB Corporate Property Manager
2	Jul 09	Update to Westmere crossing loop	JS	Checked	CAS
1	Feb-03	Revised Operator Names in Legend			
Rev:	Date:	Revision:	Int:	App:	Date FEB2001 Gen. Man. / Corridor



Infrastructure Management System

AUSTRALIAN RAIL TRACK CORP. LTD

VICTORIA WESTERN LINE

System Map

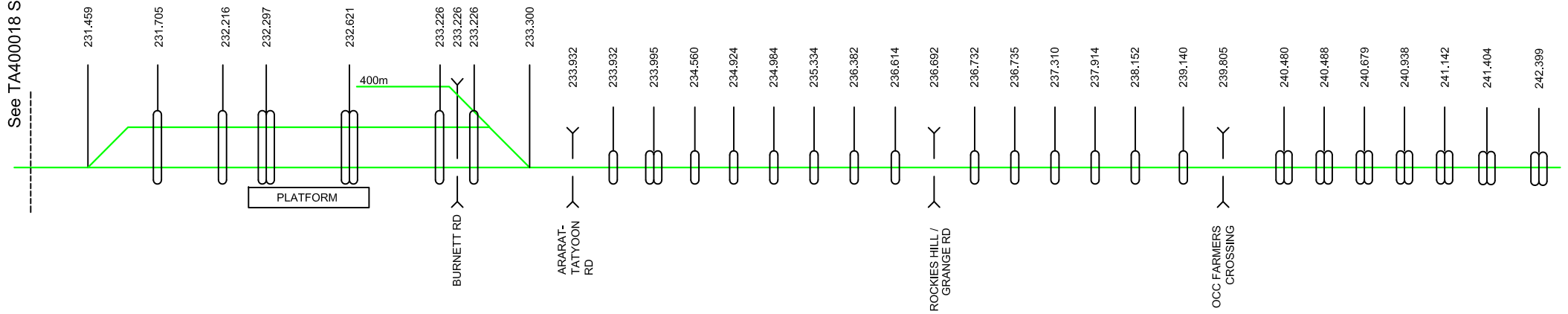
TA400018

Sheet No.  
10 of 24

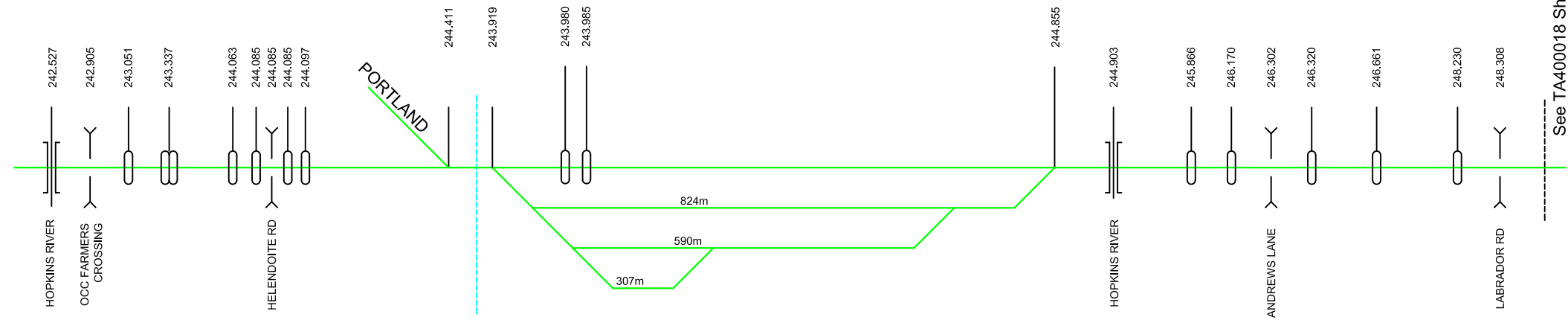
See TA400018 Sht 10

### TATYOON

Crossing Loop (1665m)



### MAROONA 244

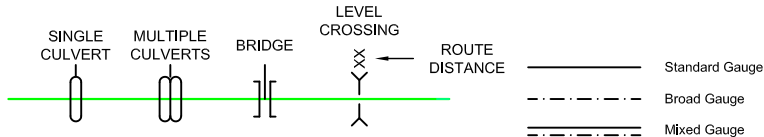


See TA400018 Sht 12

LEGEND

KILOMETRE CHANGE (244.415 = 243.915)

OWNERSHIPS	
<span style="color: green;">—</span>	ARTC
<span style="color: orange;">—</span>	OTHER
<span style="color: green;">- - -</span>	ARTC / LICENCE
<span style="color: purple;">—</span>	PACIFIC NATIONAL
<span style="color: blue;">—</span>	PRIVATE SIDING



Once Printed this is no longer a controlled Document

**NOTE:**  
1/ ALL PROPERTY BOUNDARY DIMENSIONS REQUIRE CONFIRMATION



6	Apr 13	Corrections to align with asset maintenance register	JS		
5	Dec 12	Tatyoon loop length amended	JS	Scale	NTS
4	Aug 11	Correction of Tatyoon loop length	JS	Drawn	ZB
3	Jul 09	Update to crossing loops at Tatyoon & Maroona	JS	Checked	CAS
2	Dec-04	Removal of siding from Tatyoon crossing loop			
Rev:	Date:	Revision:	Int:	App:	Date FEB2001

Corporate Property Manager  
Gen. Man. / Corridor

Infrastructure Management System

**AUSTRALIAN RAIL TRACK CORP. LTD**

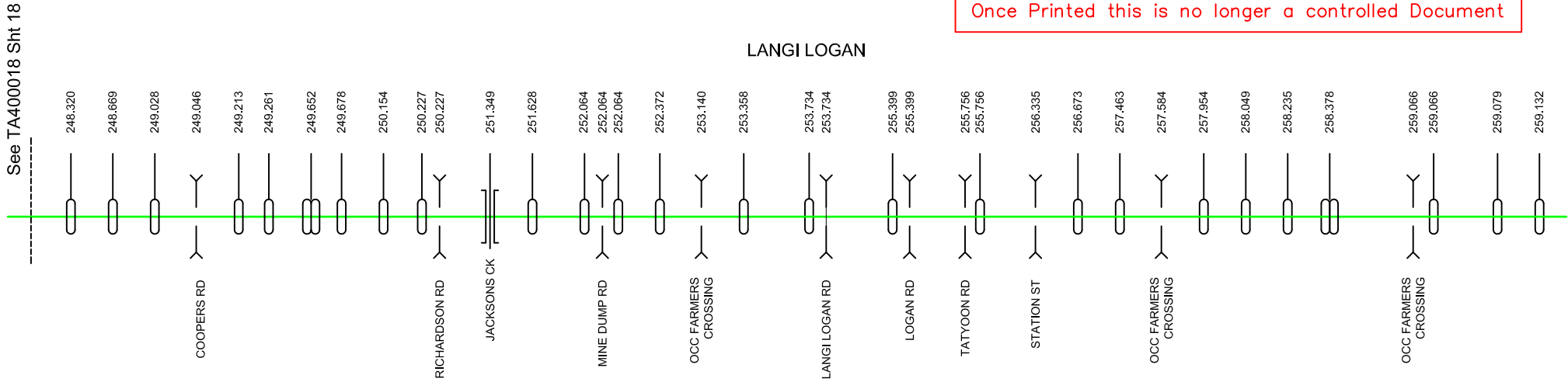
## VICTORIA WESTERN LINE

### System Map

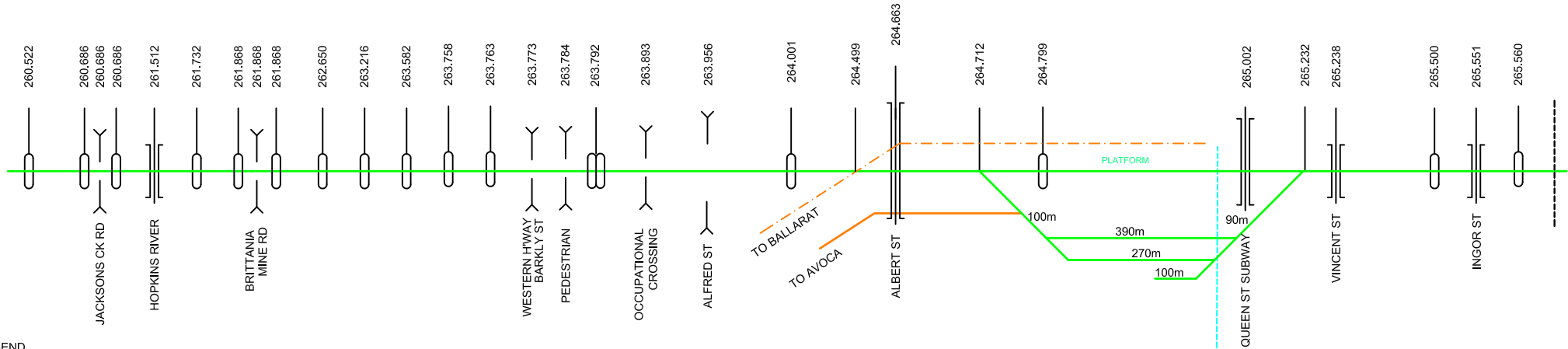
TA400018

Sheet No.  
**11 of 24**

LANGI LOGAN

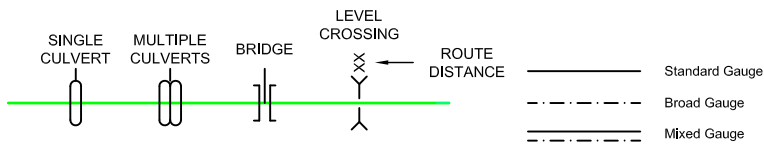


ARARAT



LEGEND

OWNERSHIPS	
<span style="color: green;">—</span>	ARTC
<span style="color: orange;">—</span>	OTHER
<span style="color: green; border-bottom: 1px dashed green;">—</span>	ARTC / LICENCE
<span style="color: magenta;">—</span>	PACIFIC NATIONAL
<span style="color: blue;">—</span>	PRIVATE SIDING



NOTE:  
1/ ALL PROPERTY BOUNDARY DIMENSIONS REQUIRE CONFIRMATION



4	Jun 13	Broad gauge diamond km added at Ararat 264,499	JS	Scale	NTS
3	Apr 13	Property references removed & asset maintenance register corrections	JS	Drawn	ZB Corporate Property Manager
2	Jul 09	Update to Ararat loops and Ballarat line	JS	Checked	CAS
1	Feb-03	Revised Operator Names in Legend			
Rev:	Date:	Revision:	Int:	App:	Date FEB2001 Gen. Man. / Corridor



Infrastructure Management System

AUSTRALIAN RAIL TRACK CORP. LTD

VICTORIA WESTERN LINE  
System Map

TA400018

Sheet No.  
12 of 24

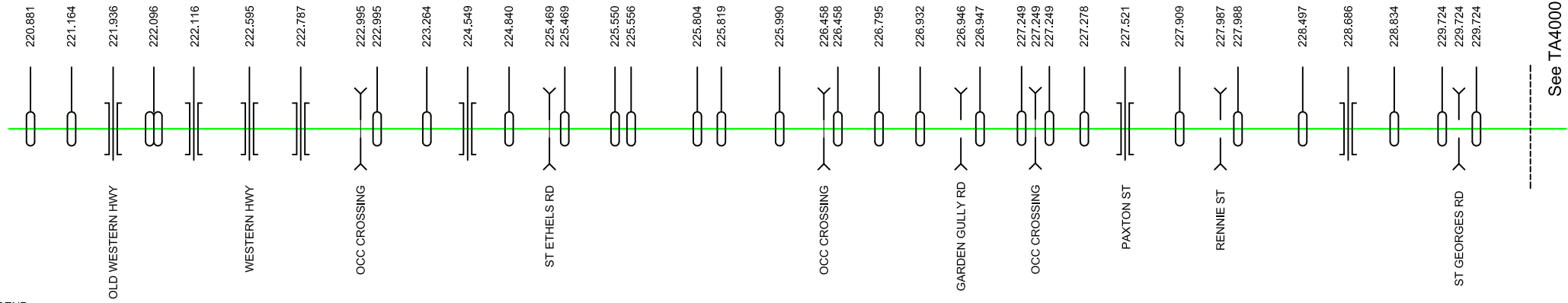
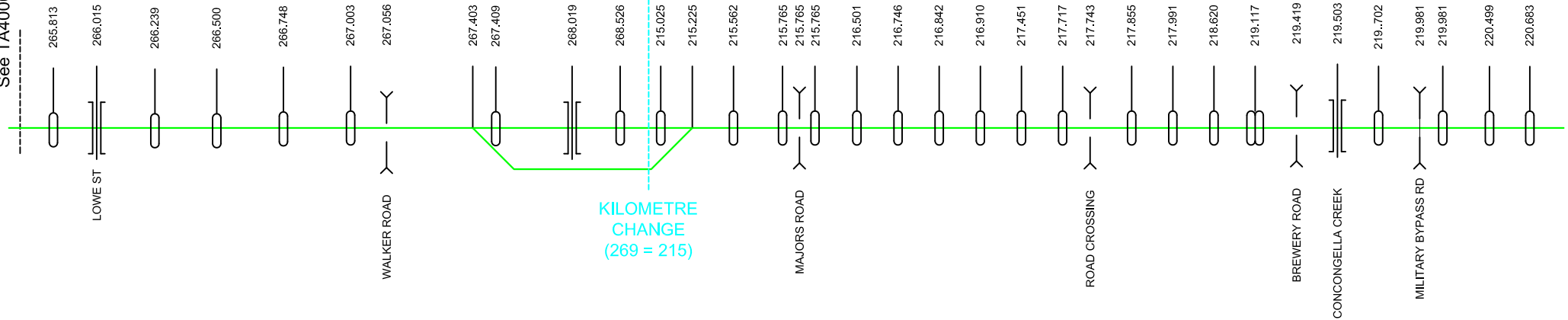
See TA400018 Sht 13

See TA400018 Sht 18

See TA400018 Sht 12

**PYRENEES LOOP**  
(1685m)

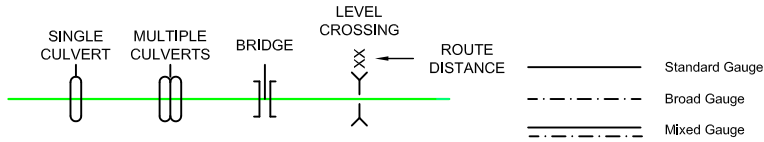
**ARMSTRONG**



See TA400018 Sht 14

**LEGEND**

OWNERSHIPS	
	ARTC
	OTHER
	ARTC / LICENCE
	PACIFIC NATIONAL
	PRIVATE SIDING



Once Printed this is no longer a controlled Document

**NOTE:**  
1/ ALL PROPERTY BOUNDARY DIMENSIONS REQUIRE CONFIRMATION



Rev:	Date:	Revision:	Int:	App:	Date:	FEB2001	Gen. Man. / Corridor
3	Apr 13	Corrections to align with asset maintenance register	JS				
2	Jul 09	Revised Ownership Table in Legend & correction of errors near Pyrenees					
1	Feb-03	Revised Operator Names in Legend					

Scale	NTS
Drawn	ZB Corporate Property Manager
Checked	CAS

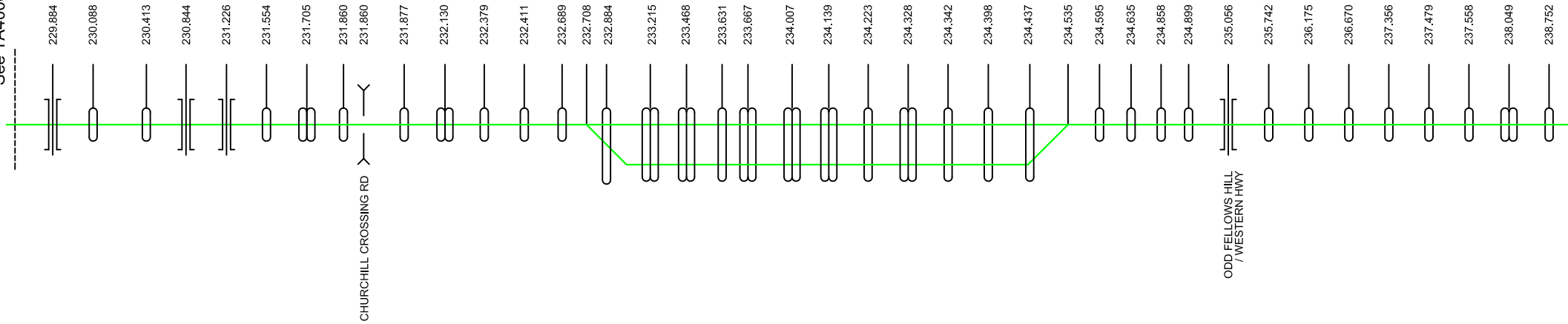
Infrastructure Management System  
AUSTRALIAN RAIL TRACK CORP. LTD

**VICTORIA WESTERN LINE**  
System Map

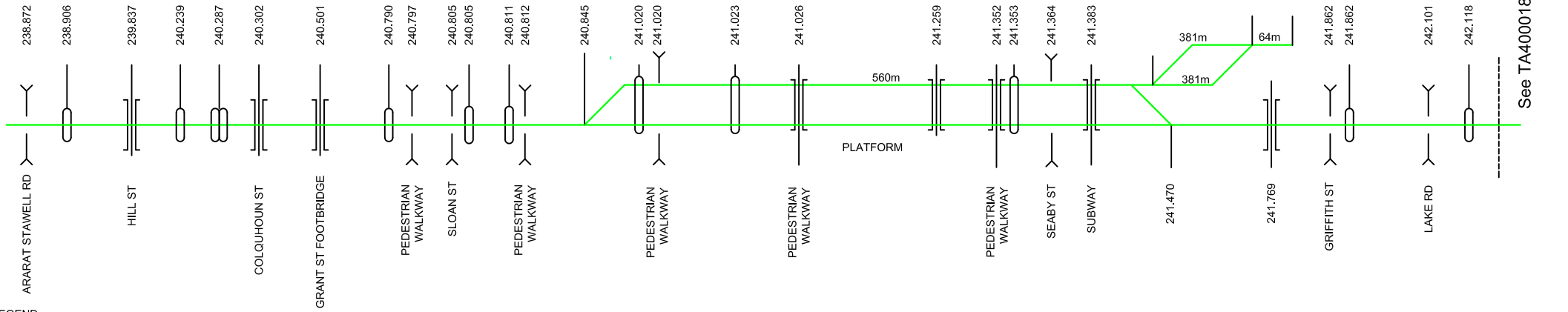
TA400018
Sheet No. 13 of 24

See TA400018 Sht 13

### GREAT WESTERN LOOP (1500m)



### STAWELL (241)



LEGEND

OWNERSHIPS	
	ARTC
	OTHER
	ARTC / LICENCE
	PACIFIC NATIONAL
	PRIVATE SIDING

	SINGLE CULVERT
	MULTIPLE CULVERTS
	BRIDGE
	LEVEL CROSSING
	ROUTE DISTANCE
	Standard Gauge
	Broad Gauge
	Mixed Gauge

Once Printed this is no longer a controlled Document

**NOTE:**  
1/ ALL PROPERTY BOUNDARY DIMENSIONS REQUIRE CONFIRMATION



See TA400018 Sht 15

3	Apr 13	Property references removed & asset maintenance register corrections	JS	Scale	NTS
2	Jul-09	Update to Stawell loop and sidings		Drawn	ZB Corporate Property Manager
1	Feb-03	Revised Operator Names in Legend		Checked	CAS
Rev:	Date:	Revision:	Int:	App:	Date FEB2001 Gen. Man. / Corridor

Infrastructure Management System

**AUSTRALIAN RAIL TRACK CORP. LTD**

## VICTORIA WESTERN LINE

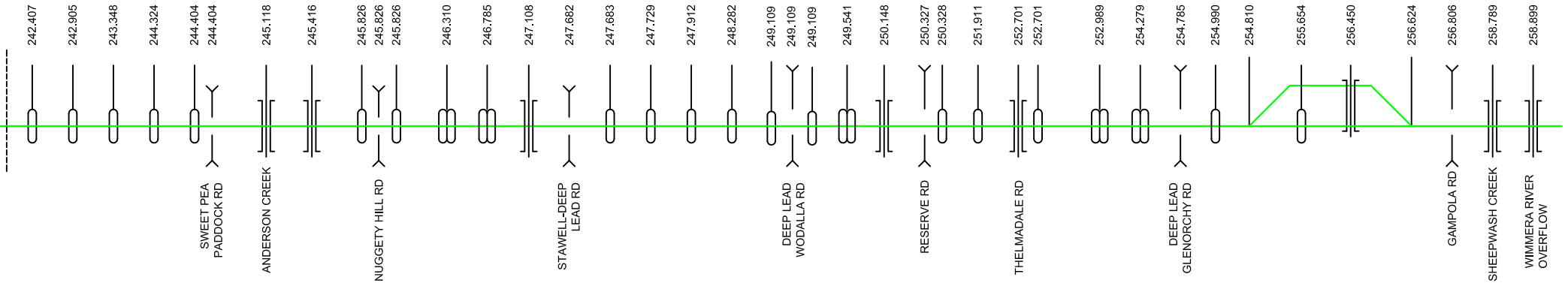
### System Map

# TA400018

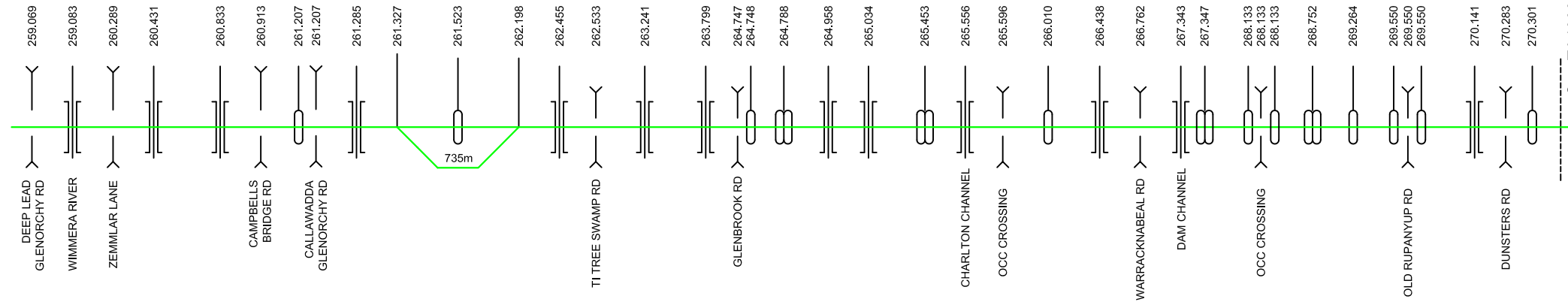
Sheet No.  
**14 of 24**

DEEP LEAD

DEEP LEAD LOOP  
(1500m)



GLENORCHY



LEGEND

OWNERSHIPS	
	ARTC
	OTHER
	ARTC / LICENCE
	PACIFIC NATIONAL
	PRIVATE SIDING

	SINGLE CULVERT
	MULTIPLE CULVERTS
	BRIDGE
	LEVEL CROSSING
	ROUTE DISTANCE

	Standard Gauge
	Broad Gauge
	Mixed Gauge

Once Printed this is no longer a controlled Document

NOTE:  
1/ ALL PROPERTY BOUNDARY DIMENSIONS REQUIRE CONFIRMATION



Rev.	Date:	Revision:	Int:	App:	Date
3	Apr 13	Corrections to align with asset maintenance register	JS		
2	Jul 09	Update to Glenorchy and Deep Lead loops			
1	Feb-03	Revised Operator Names in Legend			
					FEB2001

Scale NTS  
Drawn ZB Corporate Property Manager  
Checked CAS  
Gen. Man. / Corridor

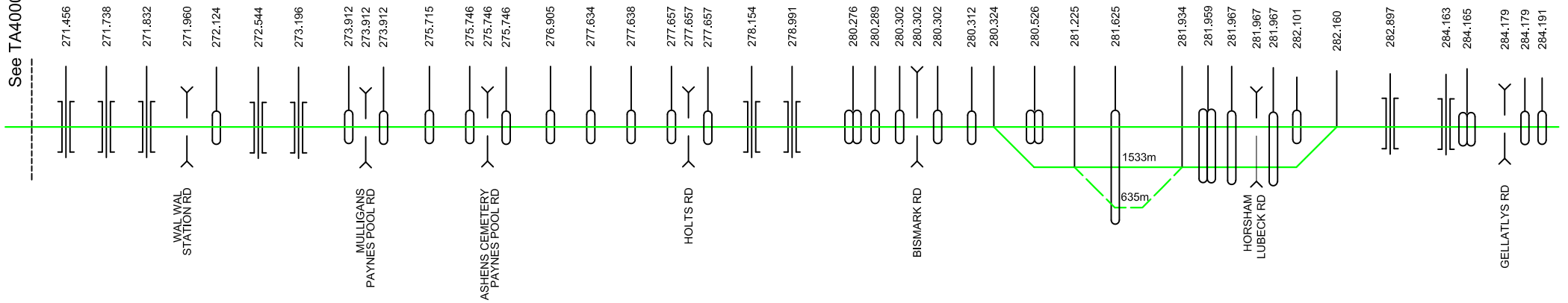
Infrastructure Management System  
AUSTRALIAN RAIL TRACK CORP. LTD  
VICTORIA WESTERN LINE  
System Map

TA400018  
Sheet No.  
15 of 24

See TA400018 Sht 15

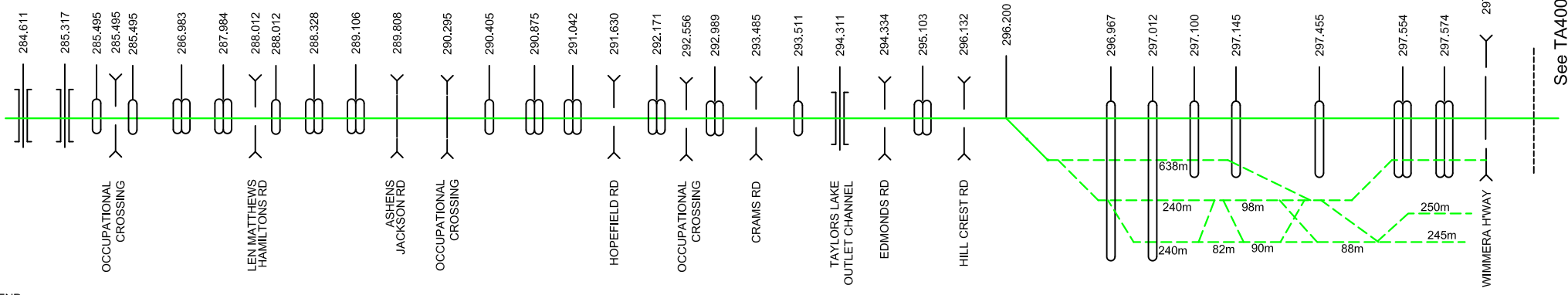
WAL WAL

LUBECK



ASHENS

MARMALAKE



See TA400018 Sht 17

LEGEND

OWNERSHIPS	
	ARTC
	OTHER
	ARTC / LICENCE
	PACIFIC NATIONAL
	PRIVATE SIDING

	SINGLE CULVERT
	MULTIPLE CULVERTS
	BRIDGE
	LEVEL CROSSING
	ROUTE DISTANCE

	Standard Gauge
	Broad Gauge
	Mixed Gauge

Once Printed this is no longer a controlled Document

NOTE:  
1/ ALL PROPERTY BOUNDARY DIMENSIONS REQUIRE CONFIRMATION



3	Jul 10	Update to ownerships Lubeck and Marmalake and various corrections	Scale	NTS
2	Jul 09	Update to Lubeck and Murtoa loops	Drawn	ZB Corporate Property Manager
1	Feb-03	Revised Operator Names in Legend	Checked	CAS
Rev:	Date:	Revision:	Int:	App: Date FEB2001 Gen. Man. / Corridor



Infrastructure Management System

AUSTRALIAN RAIL TRACK CORP. LTD

VICTORIA WESTERN LINE  
System Map

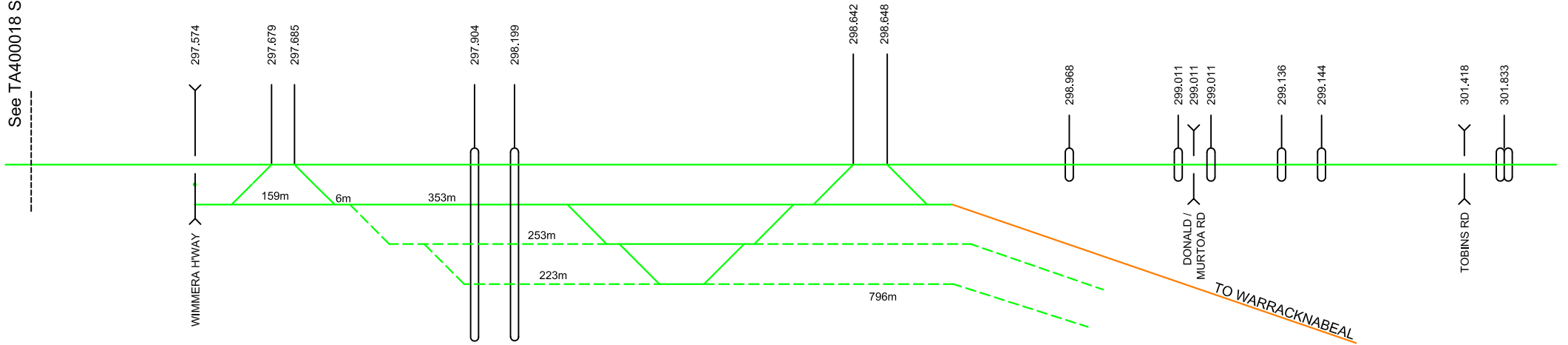
TA400018

Sheet No.  
16 of 24



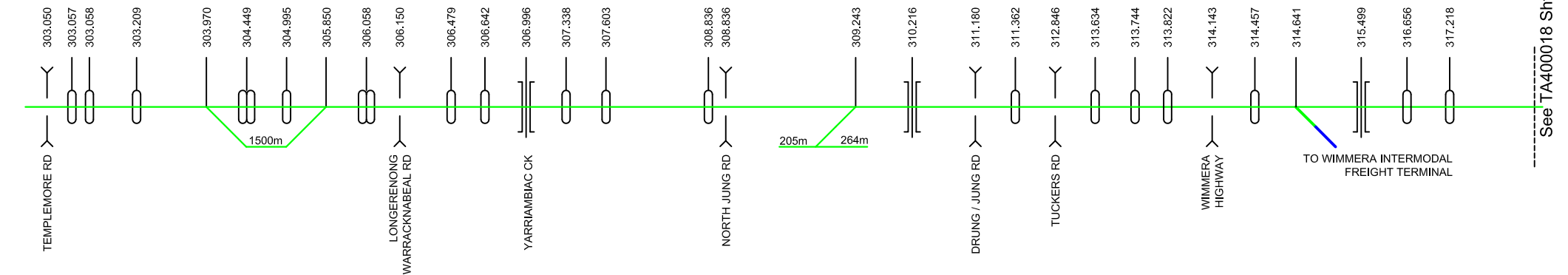
See TA400018 Sht 16

### MURTOA



### MURTOA LOOP

### JUNG



See TA400018 Sht 18

LEGEND

OWNERSHIPS	
	ARTC
	OTHER
	ARTC / LICENCE
	PACIFIC NATIONAL
	PRIVATE SIDING

	SINGLE CULVERT
	MULTIPLE CULVERTS
	BRIDGE
	LEVEL CROSSING
	ROUTE DISTANCE
	Standard Gauge
	Broad Gauge
	Mixed Gauge

Once Printed this is no longer a controlled Document

NOTE:  
1/ ALL PROPERTY BOUNDARY DIMENSIONS REQUIRE CONFIRMATION



5	Apr 13	Redundant bridge Main Western Channel 307.737km removed	JS		
4	Sep 12	Wimmera Intermodal Freight Terminal added and minor corrections	JS	Scale	NTS
3	Jul 11	Updated to show Asciano takeup of sidings at Murtoa	JS	Drawn	ZB
2	Jul 09	Update to Murtoa and Jung		Checked	CAS
1	Feb-03	Revised Operator Names in Legend			
Rev:	Date:	Revision:	Int:	App:	Date FEB2001

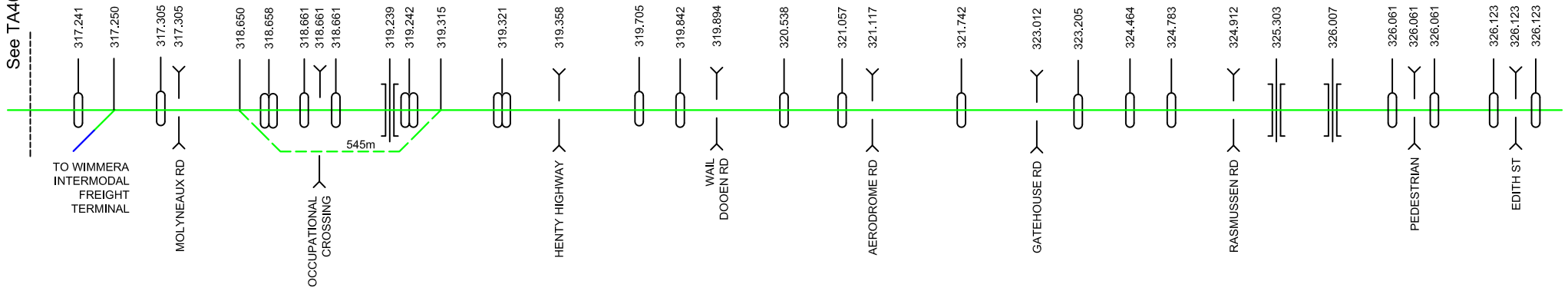
Corporate Property Manager  
Gen. Man. / Corridor

Infrastructure Management System  
AUSTRALIAN RAIL TRACK CORP. LTD  
**VICTORIA WESTERN LINE**  
System Map

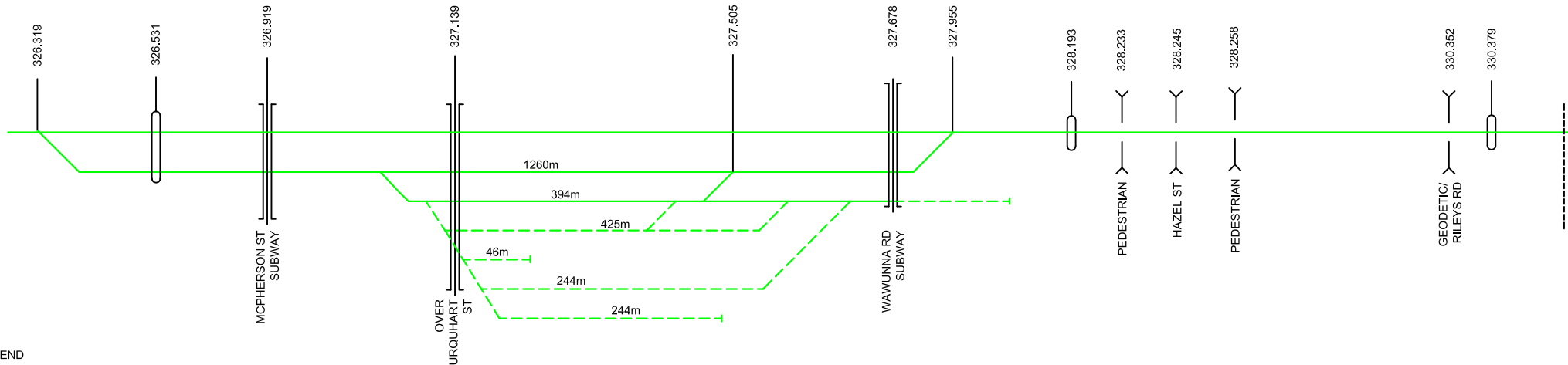
TA400018  
Sheet No.  
17 of 24

See TA400018 Sht 17

DOOEN



HORSHAM



LEGEND

OWNERSHIPS	
	ARTC
	OTHER
	ARTC / LICENCE
	PACIFIC NATIONAL
	PRIVATE SIDING

	SINGLE CULVERT
	MULTIPLE CULVERTS
	BRIDGE
	LEVEL CROSSING
	ROUTE DISTANCE

	Standard Gauge
	Broad Gauge
	Mixed Gauge

Once Printed this is no longer a controlled Document

NOTE:  
1/ ALL PROPERTY BOUNDARY DIMENSIONS REQUIRE CONFIRMATION



See TA400018 Sht 19

4	Sep 12	Wimmera Intermodal Freight Terminal added and minor corrections	JS	Scale	NTS
3	Jul 10	Update to ownerships at Dooen and Horsham and other corrections	JS	Drawn	ZB
2	Jul 09	Update to Dooen and Horsham		Checked	CAS
1	Feb-03	Revised Operator Names in Legend			
Rev:	Date:	Revision:	Int:	App:	Date
					FEB2001

Corporate Property Manager  
Gen. Man. / Corridor

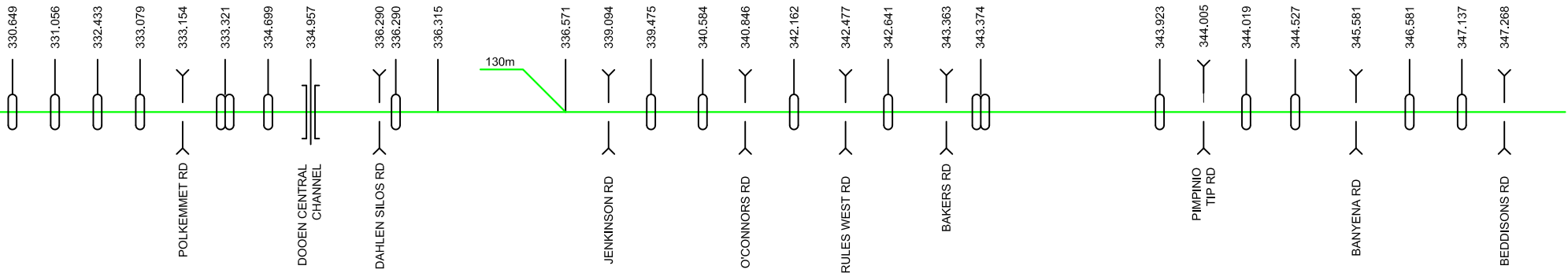
Infrastructure Management System  
AUSTRALIAN RAIL TRACK CORP. LTD

VICTORIA WESTERN LINE  
System Map

TA400018  
Sheet No.  
18 of 24

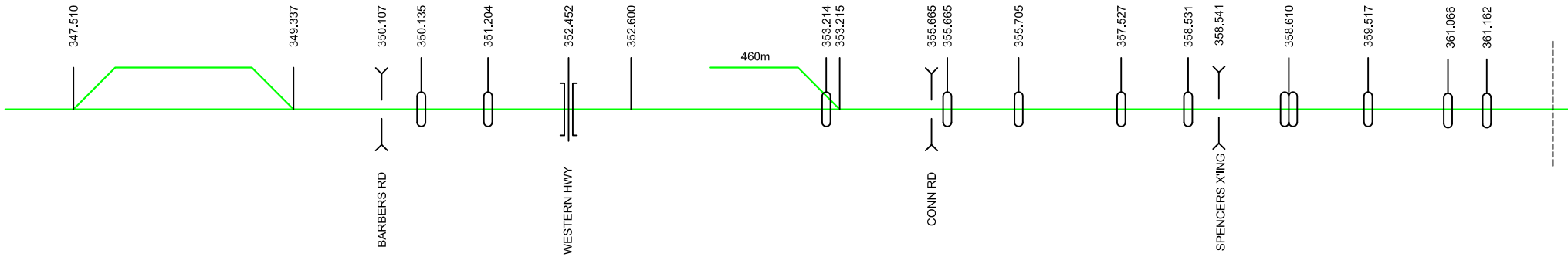
See TA400018 Sht 18

DAHLEN



PIMPINIO LOOP  
(1500m)

WAIL



See TA400018 Sht 20

LEGEND

OWNERSHIPS	
	ARTC
	OTHER
	ARTC / LICENCE
	PACIFIC NATIONAL
	PRIVATE SIDING

	SINGLE CULVERT
	MULTIPLE CULVERTS
	BRIDGE
	LEVEL CROSSING
	ROUTE DISTANCE

	Standard Gauge
	Broad Gauge
	Mixed Gauge

Once Printed this is no longer a controlled Document

NOTE:  
1/ ALL PROPERTY BOUNDARY DIMENSIONS REQUIRE CONFIRMATION



5	Feb 14	Redundant Pimpinio siding at 343.425km removed	JS		
4	Apr 13	Bridge at 361.056 replaced by culvert at 361.066	JS	Scale	NTS
3	Apr 13	Corrections to align with asset maintenance register	JS	Drawn	ZB
2	Jul 09	Updated loop details		Checked	CAS
1	Feb-03	Revised Operator Names in Legend			
Rev:	Date:	Revision:	Int:	App:	Date JUNE2000

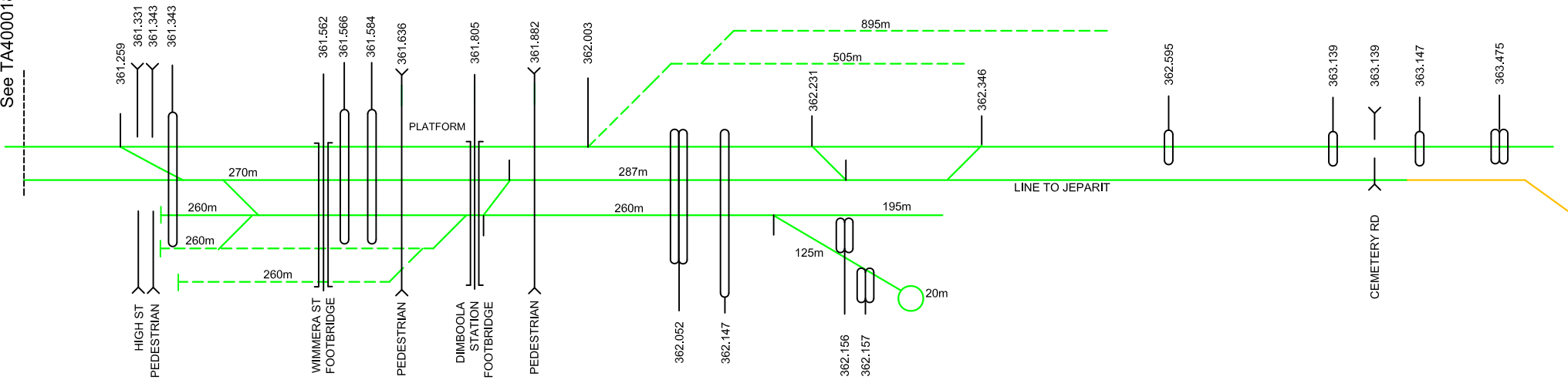
Corporate Property Manager  
Gen. Man. / Corridor

Infrastructure Management System  
AUSTRALIAN RAIL TRACK CORP. LTD  
**VICTORIA WESTERN LINE**  
System Map

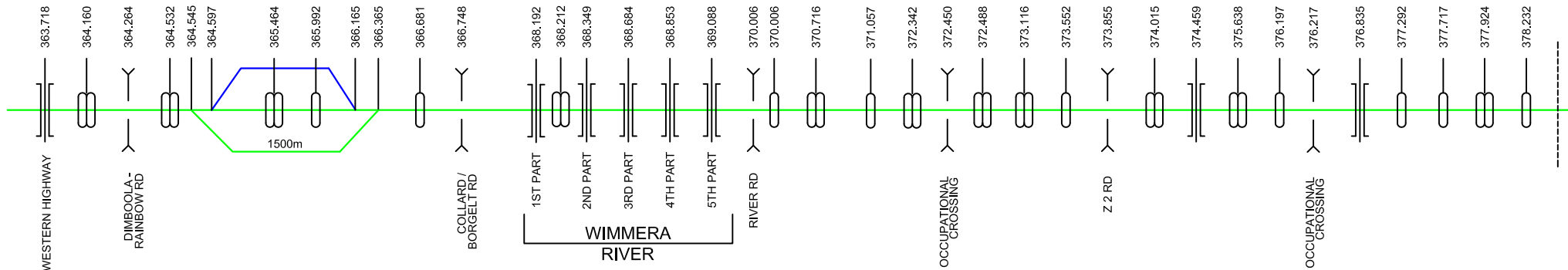
TA400018  
Sheet No.  
19 of 24

See TA400018 Sht 19

### DIMBOOLA



### DIMBOOLA LOOP



See TA400018 Sht 21

LEGEND

OWNERSHIPS	
	ARTC
	OTHER
	ARTC / LICENCE
	PACIFIC NATIONAL
	PRIVATE SIDING

	SINGLE CULVERT
	MULTIPLE CULVERTS
	BRIDGE
	LEVEL CROSSING
	ROUTE DISTANCE
	Standard Gauge
	Broad Gauge
	Mixed Gauge

Once Printed this is no longer a controlled Document

**NOTE:**  
1/ ALL PROPERTY BOUNDARY DIMENSIONS REQUIRE CONFIRMATION



5	May 15	Correction of High St level crossing at Dimboola	JS		
4	Jul 11	Updated to show Asciano takeup of sidings at Dimboola	JS	Scale	NTS
3	Jul 10	Update to ownerships Dimboola yard and other corrections		Drawn	ZB Corporate Property Manager
2	Jul 09	Update to Dimboola yard		Checked	CAS
1	Feb 03	Revised Operator Names in Legend			
Rev:	Date:	Revision:	Int:	App:	Date FEB2001 Gen. Man. / Corridor

**ARTC** Infrastructure Management System  
AUSTRALIAN RAIL TRACK CORP. LTD

**VICTORIA WESTERN LINE**  
System Map

**TA400018**

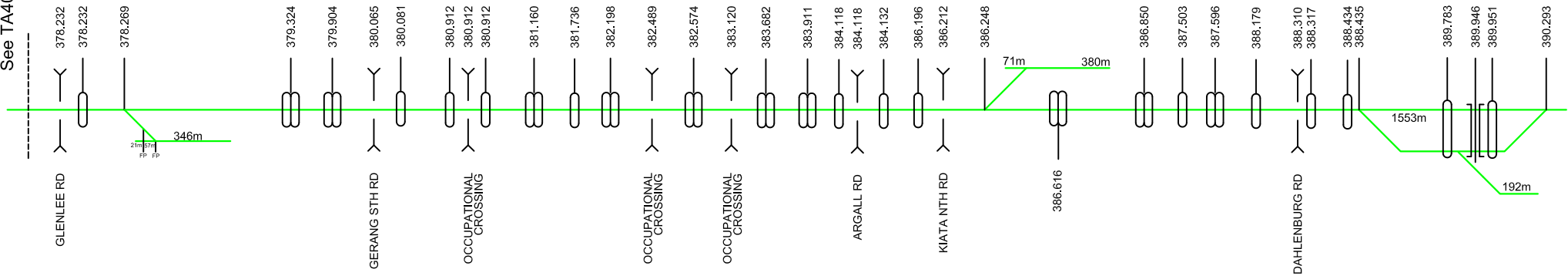
Sheet No.  
**20 of 24**

See TA400018 Sht 20

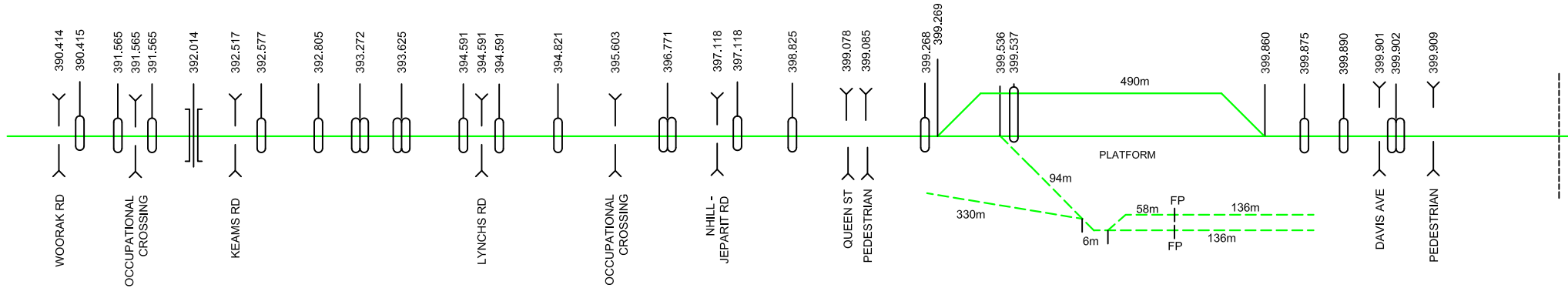
GERANG GERUNG

KIATA

SALISBURY

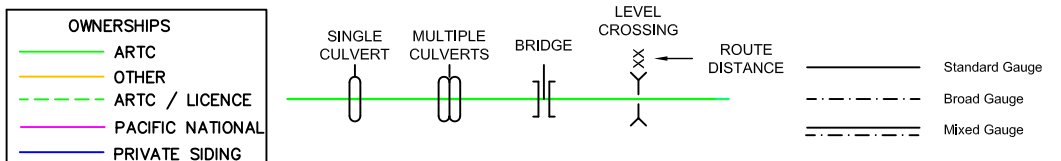


NHILL



See TA400018 Sht 22

LEGEND



Once Printed this is no longer a controlled Document

NOTE:  
1/ ALL PROPERTY BOUNDARY DIMENSIONS REQUIRE CONFIRMATION



6	May 15	Correction of Nhill crossing loop	JS		
5	Nov 14	Removal of western end turnout Gerang Gerung 378.697km	JS	Scale	NTS
4	Jul 10	Update of ownerships Gerang Gerung & Nhill and other corrections	JS	Drawn	ZB Corporate Property Manager
3	Jul 09	Update of loops	JS	Checked	CAS
2	Feb 03	Revised Operator Names in Legend			
Rev:	Date:	Revision:	Int:	App:	Date FEB2001 Gen. Man. / Corridor

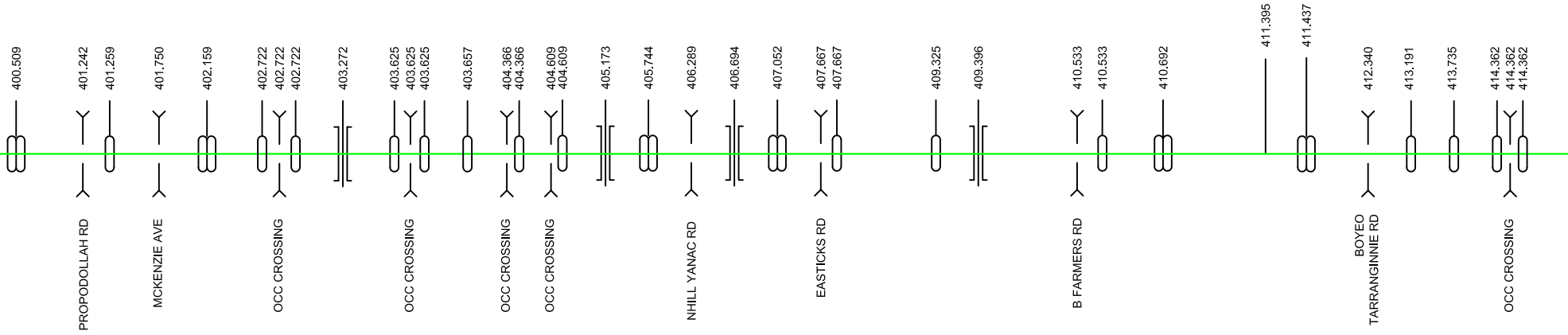
**ARTC** Infrastructure Management System  
 AUSTRALIAN RAIL TRACK CORP. LTD

**VICTORIA WESTERN LINE**  
 System Map

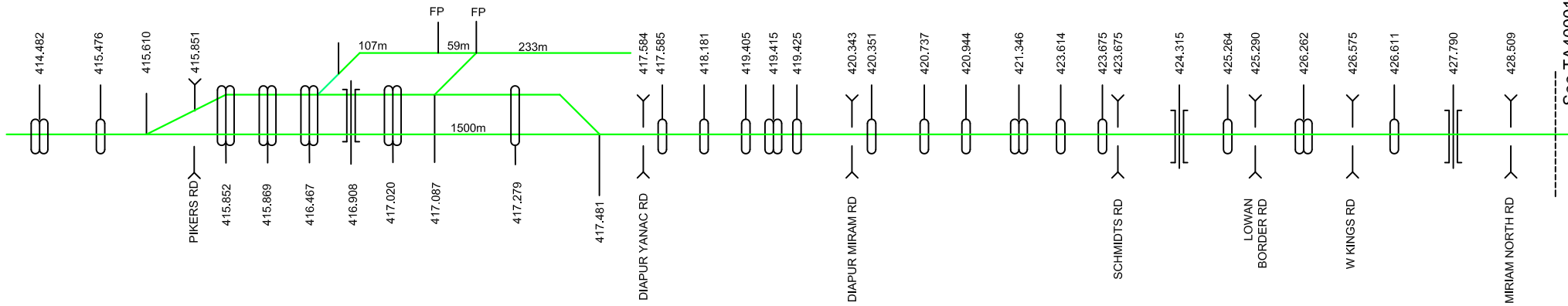
**TA400018**

Sheet No.  
**21 of 24**

See TA400018 Sht 21

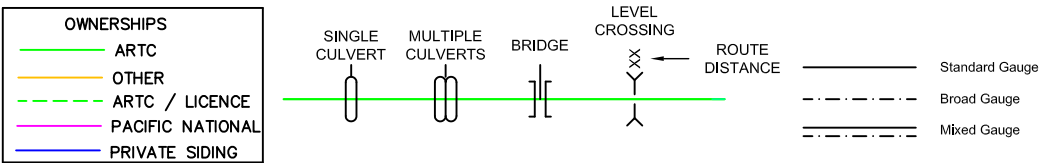


DIAPUR



See TA400018 Sht 23

LEGEND



Once Printed this is no longer a controlled Document

NOTE:  
1/ ALL PROPERTY BOUNDARY DIMENSIONS REQUIRE CONFIRMATION



4	Feb 14	Redundant Tarranginnie siding at 411.040km removed	JS	Scale	NTS
3	Apr 13	Corrections to align with asset maintenance register	JS	Drawn	ZB
2	Jul 09	Updates to loops	JS	Checked	CAS
1	Feb-03	Revised Operator Names in Legend			
Rev:	Date:	Revision:	Int:	App:	Date
					FEB2001

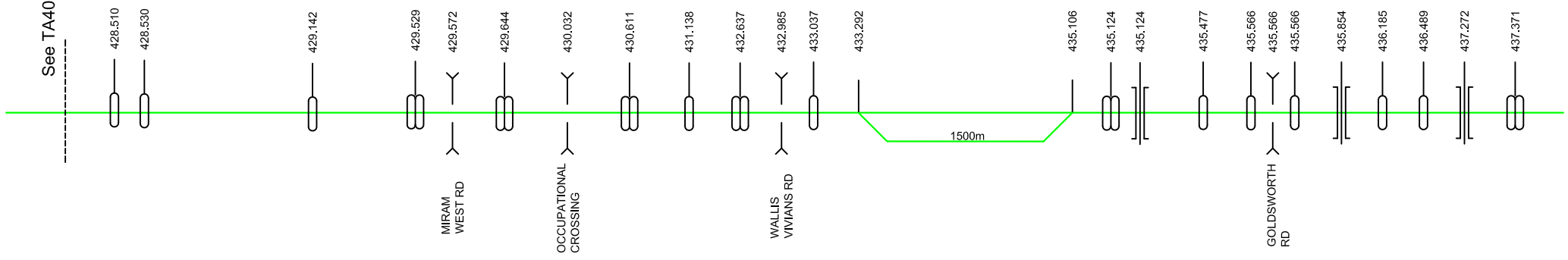
Corporate Property Manager  
Gen. Man. / Corridor

ARTC AUSTRALIAN RAIL TRACK CORP. LTD  
Infrastructure Management System  
VICTORIA WESTERN LINE  
System Map

TA400018  
Sheet No.  
22 of 24

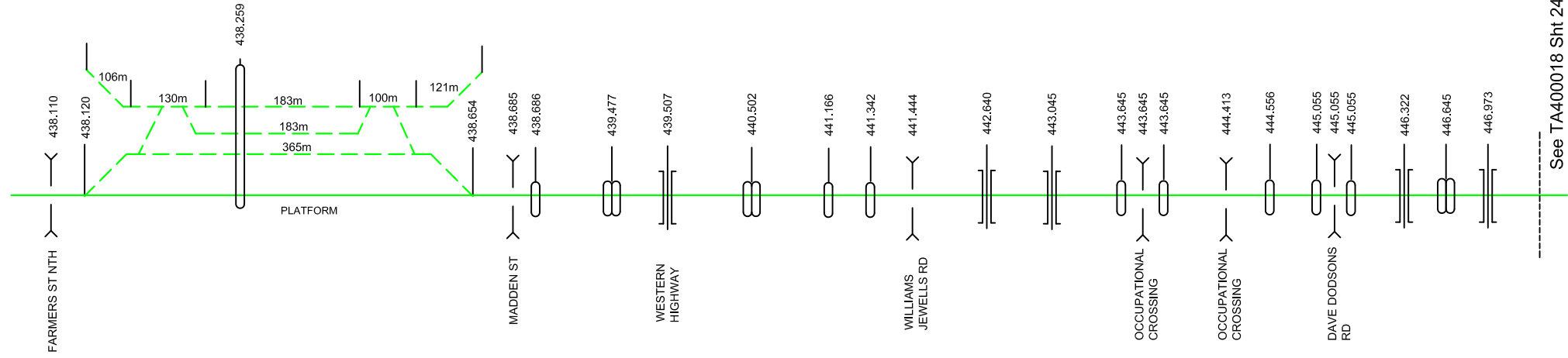
See TA400018 Sht 22

KANIVA LOOP



KANIVA

(No 2 Siding Permanently Booked out of Service)



See TA400018 Sht 24

LEGEND

OWNERSHIPS	
	ARTC
	OTHER
	ARTC / LICENCE
	PACIFIC NATIONAL
	PRIVATE SIDING

	SINGLE CULVERT
	MULTIPLE CULVERTS
	BRIDGE
	LEVEL CROSSING

	ROUTE DISTANCE	Standard Gauge
		Broad Gauge
		Mixed Gauge

Once Printed this is no longer a controlled Document

NOTE:  
1/ ALL PROPERTY BOUNDARY DIMENSIONS REQUIRE CONFIRMATION



5	Feb 14	Redundant Miram loop removed	JS		
4	Oct 12	No 2 siding at Kaniva permanently booked out of service	JS	Scale	NTS
3	Jul 10	Update of ownerships Kaniva and other corrections	JS	Drawn	ZB Corporate Property Manager
2	Jul 09	Update of loops	JS	Checked	CAS
1	Feb-03	Revised Operator Names in Legend			
Rev:	Date:	Revision:	Int:	App:	Date FEB2001 Gen. Man. / Corridor

Infrastructure Management System

AUSTRALIAN RAIL TRACK CORP. LTD

VICTORIA WESTERN LINE

System Map

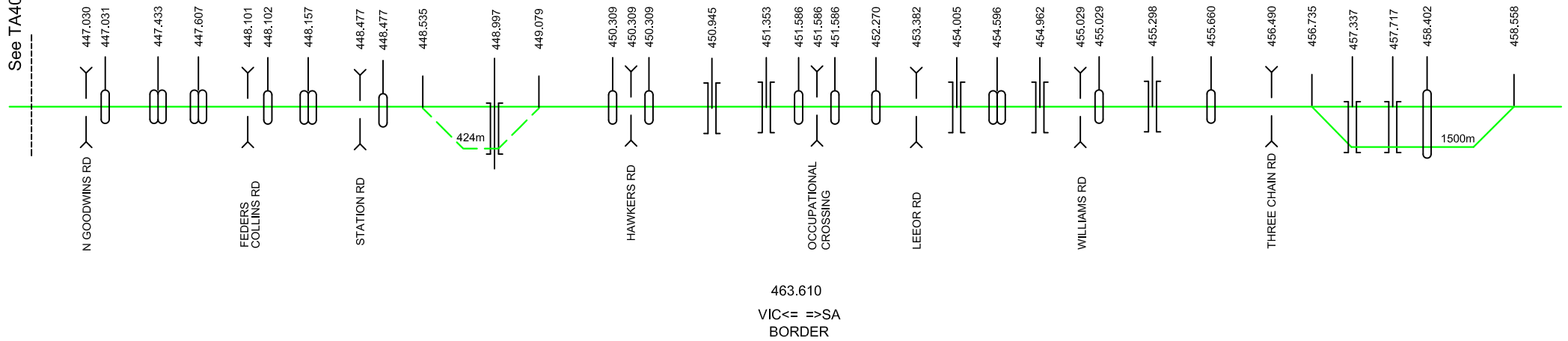
TA400018

Sheet No.  
23 of 24

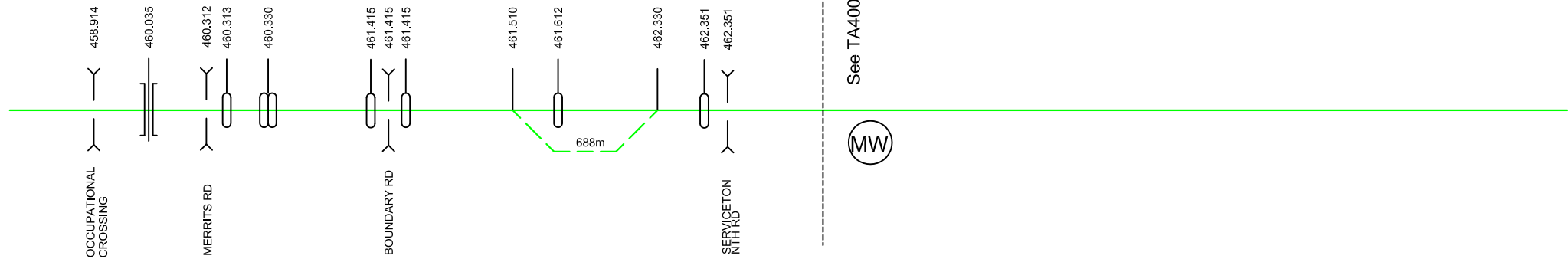
See TA400018 Sht 23

LILLIMUR

LEEOR



SERVICETON



LEGEND

**OWNERSHIPS**

- ARTC
- OTHER
- ARTC / LICENCE
- PACIFIC NATIONAL
- PRIVATE SIDING

**CROSSINGS**

- SINGLE CULVERT
- MULTIPLE CULVERTS
- BRIDGE
- LEVEL CROSSING

**ROUTE DISTANCE**

- Standard Gauge
- Broad Gauge
- Mixed Gauge

Once Printed this is no longer a controlled Document

NOTE:  
1/ ALL PROPERTY BOUNDARY DIMENSIONS REQUIRE CONFIRMATION



3	Jul 10	Update to ownerships Lillimur & Serviceton and other corrections	Scale	NTS
2	Jul 09	Update to loops	Drawn	ZB Corporate Property Manager
1	Feb-03	Revised Operator Names in Legend	Checked	CAS
Rev:	Date:	Revision:	Int:	App: Date FEB2001 Gen. Man. / Corridor

**ARTC** Infrastructure Management System  
AUSTRALIAN RAIL TRACK CORP. LTD

**VICTORIA WESTERN LINE**  
System Map

TA400018  
Sheet No.  
24 of 24